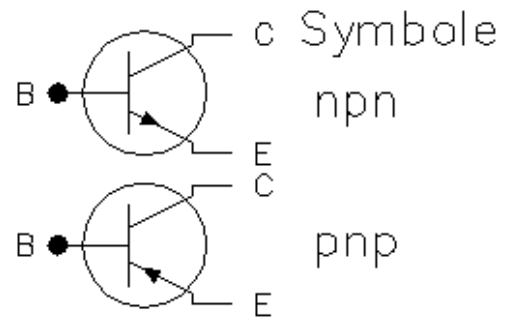
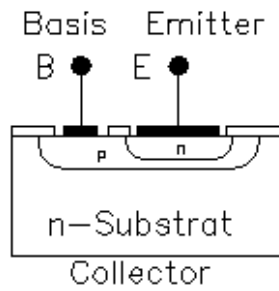
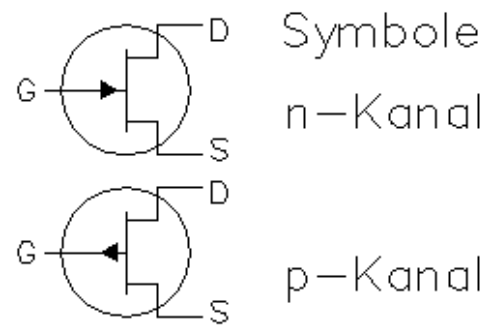
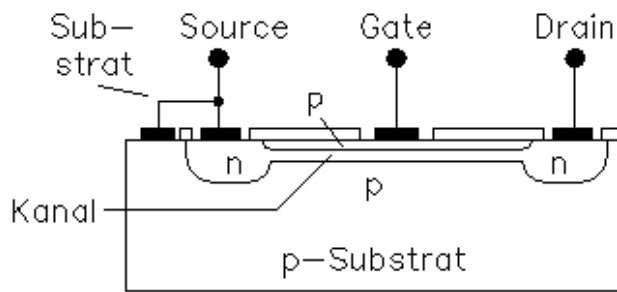


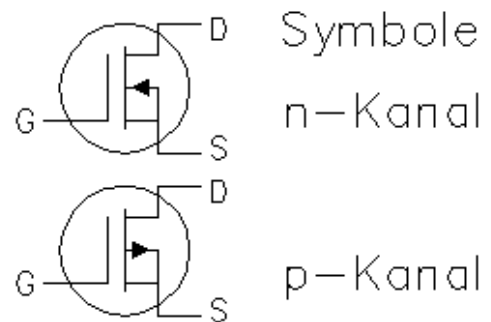
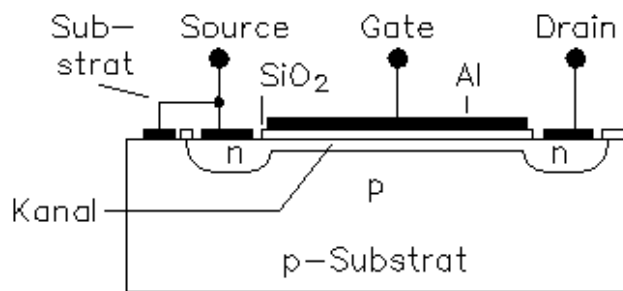
Bipolartransistor



Junction FET



n-Kanal Depletion MOSFET



n-Kanal Enhancement MOSFET

